

2013 STORM DOOR CATALOG



STORMDOORS **HARDWARE** **ACCESSORIES**



ProVia[®]
THE PROFESSIONAL WAY

STORM DOORS

Every storm door is individually customized to the highest standards in the residential market for homeowners who appreciate impeccable, uncompromising quality.



We've been building a reputation for quality since our company was founded over 30 years ago near Sugarcreek, Ohio, in the heart of Amish country, an area well known for quality and craftsmanship.

While old-world craftsmanship is very much a part of our culture, it's supported by modern design techniques and state-of-the-art manufacturing processes. We've created the perfect balance between traditional quality and modern technology.



291 Full View



Our paint process is computer controlled, ensuring professional quality every time.

Storm Door Paint Finishing System

Paint is electrostatically applied with a vertical hydraulic reciprocator using a turbo disc that atomizes the paint particles for better coverage of contoured extrusions.



Storm Door Paint Colors

To select paint color, refer to our color selector for accurate color representation.

| | | | | |
|---------------|-------------|-------------|-----------------|----------------|
| Snow Mist | Café Cream | Chateau | Sandpiper Beige | Sandstone |
| Sterling Gray | Clay | Geneva Blue | Forest Green | Mountain Berry |
| Rustic Bronze | Tudor Brown | Coal Black | | |

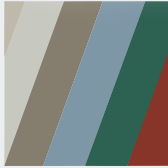
Limited Colors

Available on entry doors and storm doors.

Matching cladding and caulking not available.

| |
|-----------------|
| Primrose Yellow |
| Enzian Blue |
| Vallis Red |

Storm Door Construction

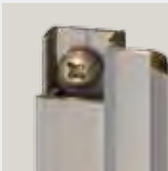


Durable, oven-baked polyester finishes are backed by a Lifetime Warranty for lasting beauty and low maintenance.



Extruded aluminum frame adds beauty to your door by virtue of the rounded **cove molding along the glass edge** of the extrusion.

All our storm doors are constructed with **tempered safety glass**.



You'll appreciate the finished look of our **color matched aluminum installation screw covers**.

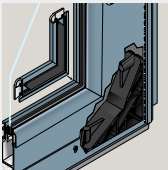
Each door features **quality hardware** that adds beauty and functionality to your new storm door. Varies by model.



Sashes are secured by our **color matched polycarbonate clips or an internal sash lock system**. Varies by model.



Smooth function is essential. That's why we include a **quality door closer** in every storm door package. Varies by model.



Corrosion proof corner gussets enhance the structural integrity of the door.

Color matched bottom expanders allow for a beautiful custom fit to any entry. Varies by model.



Our bottom expander with sweep allows for adjustment to ensure a snug fit as needed. Varies by model.



291 Full View

STORM DOOR DETAILS

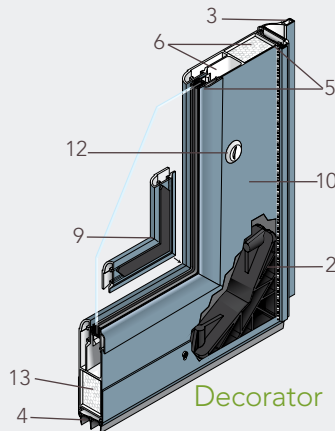
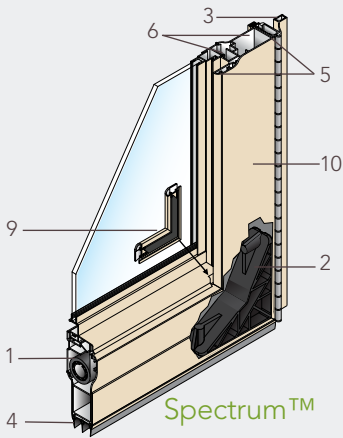
The details are the small things that set our storm doors apart from the competition. A lot of small things add up to a big difference.

Our storm doors excel in Beauty, Durability, Security and Energy Efficiency. And we offer a Lifetime Limited Transferable Warranty on all our storm doors.

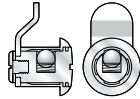


397 Full View

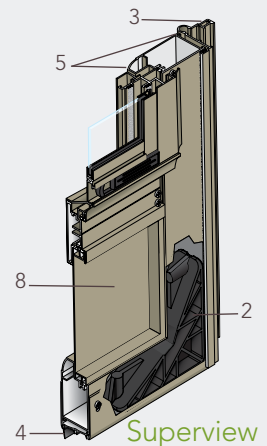
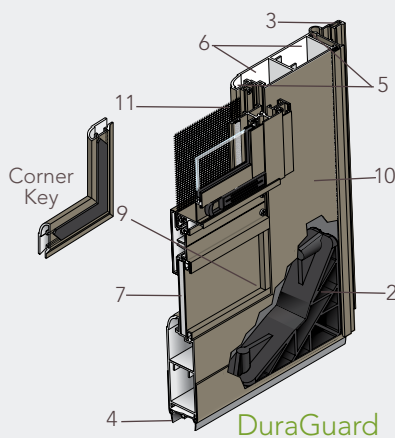
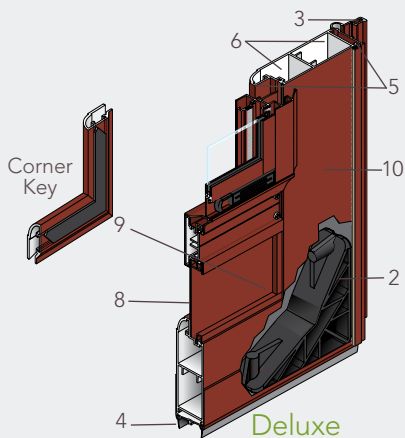
Storm Door Construction



Internal Sash Lock System



This spring-loaded, flush mounted lock secures the glass virtually eliminating rattles and air leaks.



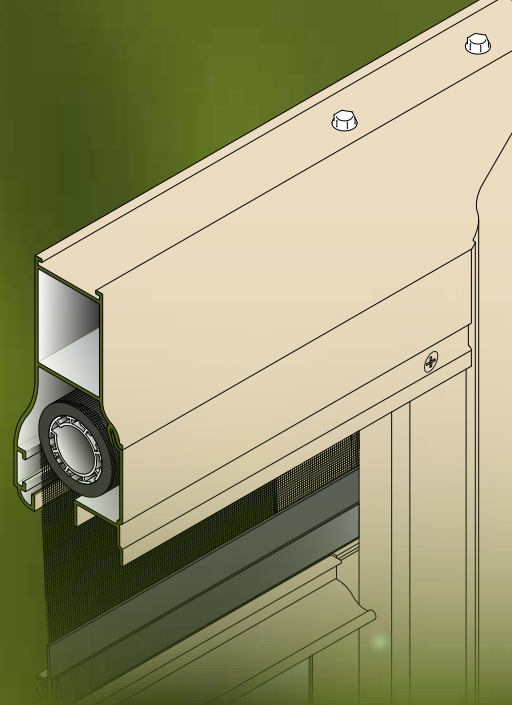
| Construction | Spectrum™ | Decorator | Deluxe | DuraGuard | Superview |
|--|-----------|---------------|-----------|-----------|-----------|
| 1 InVent™ Retractable Screen System | ● | | | | |
| 2 Outside corners are secured to corrosion proof gussets, for structural integrity | ● | ● | ● | ● | ● |
| 3 Color matched aluminum installation screw covers enhance the appearance of your door | ● | ● | ● | ● | ● |
| 4 The bottom sweep eliminates drafts | Triple | Triple | Double | Double | Single |
| 5 The sculptured frame adds durability | 1¼" x 4¾" | 1¼" x 4" | 1¼" x 3¾" | 1¼" x 3¾" | 1¼" x 2¾" |
| 6 Multi-hollow construction provides greater strength and security than standard storm doors | ● | ● | ● | ● | |
| 7 The reinforced aluminum kick panel adds durability | ● | | | ● | |
| 8 The aluminum kick panel resists rust and adds strength | | | ● | | ● |
| 9 Corner keys provide added support to the inside of the door frame | ● | ● | ● | ● | ● |
| 10 Aluminum wall thickness up to 20% thicker than industry standard | ● | ● | ● | ● | |
| 11 The .023 gauge stainless steel screen offers extra security and protection (12 x 12 mesh) | | | | ● | |
| 12 Sash/Screen secured by internal lock system or color matched polycarbonate clips | | Internal Lock | Clips | Clips | Clips |
| 13 Standard insulated frame core offers increased energy efficiency | | ● | | | |
| 14 Screen included | ● | Optional | ● | ● | ● |

SPECTRUM™

Spectrum Series brings you smooth functionality, beauty and durability. Our exclusive top & bottom InVent™ retractable screen system allows you more venting options than ever.



291 Full View

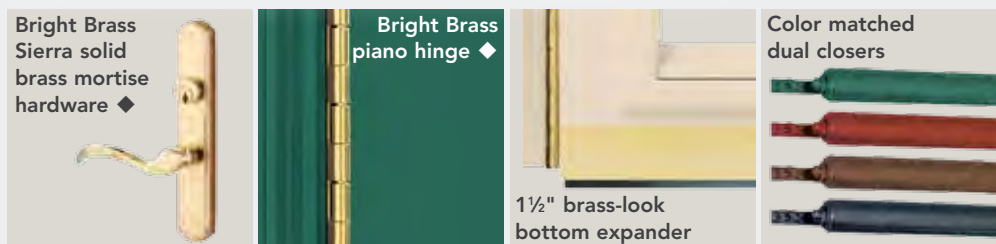


Featuring top and bottom InVent™ Retractable Screens

Spectrum Storm Doors Include:

- Two InVent™ retractable screens with Compound Tension sashes
- Triple seal bottom sweep
- 1¼" x 4¾" wide sculptured frame

Standard Hardware & Accessories



- ◆ Satin nickel hardware, piano hinge and bottom expander are standard on Spectrum storm doors with zinc caming and Inspirations Art Glass.

Spectrum Styles



#296-B Full View Double Prairie with Beveled Glass and Brass Inlay



#296-Z Full View Double Prairie with Beveled Glass and Zinc Inlay ♦



#295 Full View Double Prairie with Beveled Glass



#291 Full View*
* Inspirations Glass available in #291 Full View



#298-B Three-quarter View with Beveled Glass and Brass Inlay



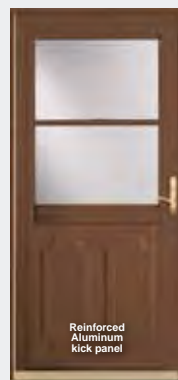
#298-Z Three-quarter View with Beveled Glass and Zinc Inlay ♦



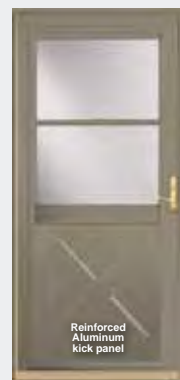
#298-VG Three-quarter View with Beveled Glass



#298 Three-quarter View



#292 Provincial Half-Lite



#293 Crossback Half-Lite



#279 Flush Half-Lite



#291SH ○ Full View



#298SH ○ Three-Quarter View



#274SH ○ Half-Lite



#298-VIN Vintage (Vineyard) ♦



#298-HAR Harmony (Coral Reef) ♦



#298-TUL Tulips (Vineyard) ♦

○ Single Hung - bottom sash is fixed

DECORATOR

Decorator Series provides a stylish, fresh look to accent your entry. Select one of the distinct styles from our Decorator Series storm doors.

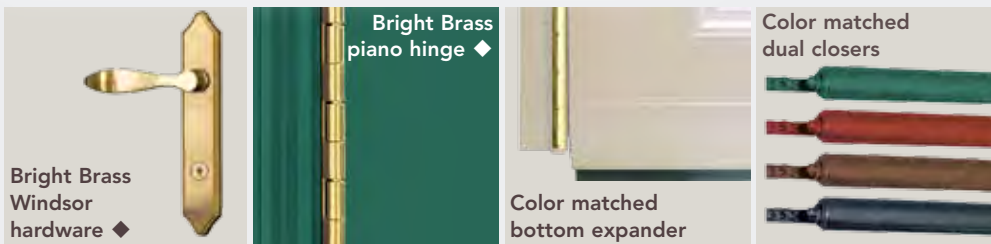


593-Z Full View Archway with Beveled Glass & Zinc Inlay

Decorator Series Storm Doors Include:

- Triple seal bottom sweep
- 1¼" x 4" wide sculptured frame

Standard Hardware & Accessories



◆ Satin Nickel hardware and piano hinge are standard on Decorator storm doors with zinc caming and Inspirations Art Glass.

Decorator Styles



#591 Full View Archway with Beveled Glass



#593-B Full View Archway with Beveled Glass & Brass Inlay



#593-Z Full View Archway with Beveled Glass & Zinc Inlay ♦



#595 Full View Double Prairie with Beveled Glass



#596-B Full View Double Prairie with Beveled Glass & Brass Inlay



#596-Z Full View Double Prairie with Beveled Glass & Zinc Inlay ♦



#590 Full View



590-VIN Vintage (Timberland) ♦



590-HAR Harmony (Coral Reef) ♦



590-TUL Tulips (Vineyard) ♦

Optional full screen with horizontal stabilizer bar available for all Decorator doors.

DELUXE

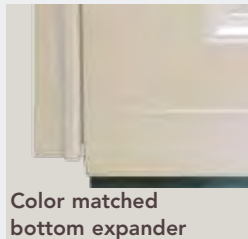
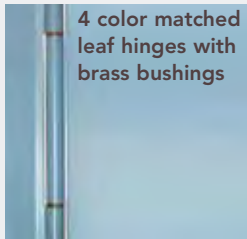
Deluxe Series is the answer whether you're looking for additional light, ventilation or protection from the elements. You'll find the exact style you're looking for in our Deluxe Series of storm doors.

Deluxe Series Storm Doors Include:

- Double seal bottom sweep
- 1¼" x 3⅝" wide sculptured frame
- BetterVue™ Fiberglass Screen

382 Full View with Beveled Glass

Standard Hardware & Accessories



Deluxe Styles



#385 Full View Double Prairie with Beveled Glass
Includes screen*



#382 Full View with Beveled Glass
Includes screen*



#397 Full View
Includes screen*



#391 Full View Divided Lite
Includes top screen



#396-V One-Lite with fixed .023 gauge stainless steel screen ventilated bottom & removable sash
Includes top screen*



#396 One-Lite
Includes screen*



#399 Self-Storing
Includes full screen*



#398 Hi-Lite
Includes top screen



#389 Self-Storing
Includes full screen*



#392 Provincial Self-Storing
Includes full screen*



#394 Provincial
Includes screen



#393 Crossback Self-Storing
Includes full screen*



#395 Crossback
Includes screen



#379 Self-Storing
Includes full screen*



#374 Flush Half-Lite
Includes screen

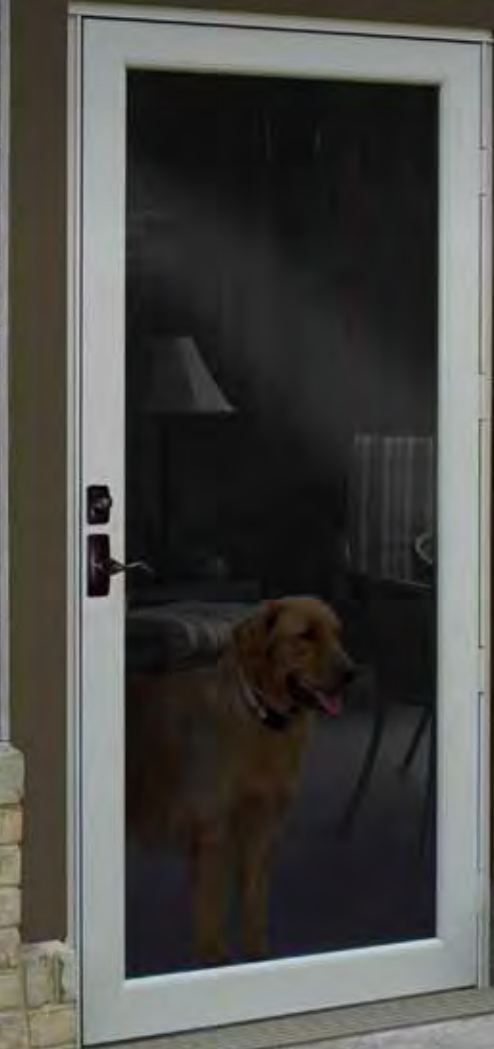


#397-VIN
Vintage (Timberland)

* Full and One-Lite screens have horizontal stabilizer bar.

DURAGUARD

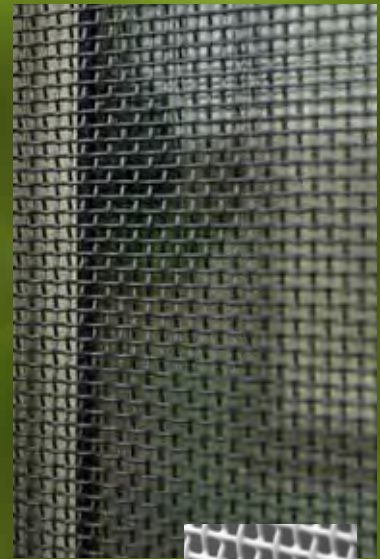
DuraGuard is exactly what you need if you're concerned about keeping your small children and pets safely inside, select one of our doors with heavy-duty non-removable stainless steel screening.



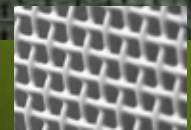
097 Screen Door

DuraGuard Series Storm Doors Include:

- Double seal bottom sweep
- Fixed .023 stainless steel screen
- 1 1/4" x 3 5/8" wide sculptured frame



.023 stainless steel black screen is standard

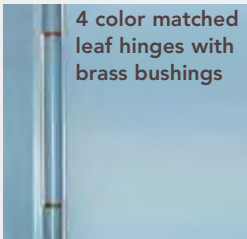


Also available in white

Standard Hardware & Accessories



Black Contemporary Curve lever with deadbolt



4 color matched leaf hinges with brass bushings



Color matched bottom expander



Heavy-duty color matched closer

DuraGuard Styles



#097 Screen Door
#097-G With glass insert



#096 Screen Door
#096-G With glass insert
Reinforced Aluminum kick panel



#096-GV With ventilated bottom and removable top and bottom sashes



#099 Self-Storing Sash & screen
Reinforced Aluminum kick panel



#089 Self-Storing Sash & screen
Reinforced Aluminum kick panel

NEW



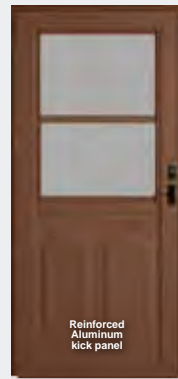
#074 Flush Half Lite (Removable sash)
Reinforced Aluminum kick panel



#094 Provincial Half Lite (Removable sash)
Reinforced Aluminum kick panel



#095 Crossback Half Lite (Removable sash)
Reinforced Aluminum kick panel



#092 Provincial Self-Storing Includes full screen
Reinforced Aluminum kick panel



#093 Crossback Self-Storing Includes full screen
Reinforced Aluminum kick panel



#079 Self-Storing Includes full screen
Reinforced Aluminum kick panel

SUPERVIEW

Superview offers a selection of storm doors constructed for style and value in one complete package.



896 One-Lite

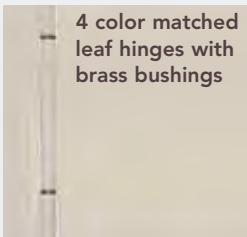
Superview Series Storm Doors Include:

- Single seal bottom sweep
- 1¼" x 2⅝" sculptured frame
- BetterVue™ Fiberglass Screen

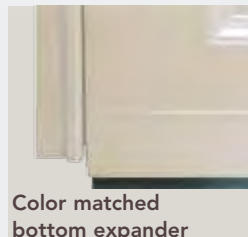
Standard Hardware & Accessories



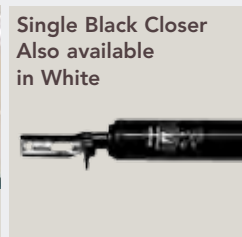
Black Pull Handle
Also available
in White



4 color matched
leaf hinges with
brass bushings



Color matched
bottom expander



Single Black Closer
Also available
in White

Superview Styles



#897 Full View
Includes screen*



#896 One-Lite
Includes screen*



#898 Hi-Lite
Includes top screen

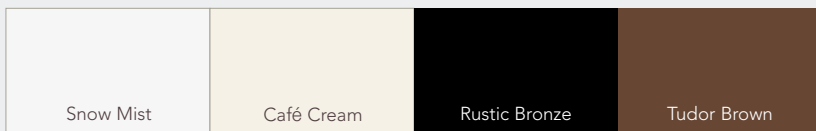


#899 Self-Storing
Includes bottom screen



#895 Crossback
Includes screen

Superview storm doors are available in the following colors only:



To select paint color, refer to our color selector for accurate color representation.

* Full and One-Lite screens have horizontal stabilizer bar.

MORTISE HARDWARE

Mortise Hardware adds a special touch to your storm door with a solid brass handleset to suit your style. Our mortise hardware conveniently allows you to use the same key for your storm door and your ProVia entry door.



Our mortise hardware features a multi-point locking system for added strength and security not found on typical consumer-grade storm door hardware.

Sierra (Solid Brass Mortise)



Venice (Solid Brass Mortise)



| Hardware Finish Availability | | | | | Hardware Availability | | | | |
|------------------------------|-----------------------|-----------------------|----------------------|------------------------------|-----------------------|-----------|--------|-----------|-----------|
| Exterior Handle Styles | LIFETIME Bright Brass | LIFETIME Satin Nickel | LIFETIME Aged Bronze | 10-Year Finish Antique Brass | Spectrum™ | Decorator | Deluxe | DuraGuard | Superview |
| Sierra | ● | ● | ● | ● | Standard | ■ | ■ | ■ | |
| Venice | ● | ● | ● | ● | ■ | ■ | ■ | ■ | |

● Interior handle finish matches exterior handle ■ Available as an option

Mortise hardware requires a factory handleset prep and is not available on expander and double french doors.

HARDWARE

With both elegance and durability, our hardware makes the right first impression. Choose from our wide selection of solid hardware to customize your storm door.

Exterior Handles

Windsor



Townsend



Contemporary Curve Lever



Push Button



Pull Handle



Interior Handles



| Hardware Finish Availability | | | | Hardware Availability | | | | | | | |
|------------------------------|-----------------------|-----------------------|----------------------|-----------------------|--------------|--------------|-----------|-----------|------------|------------|-----------|
| Exterior Handle Styles | LIFETIME Bright Brass | LIFETIME Satin Nickel | LIFETIME Aged Bronze | 1-Year Antique Brass | 1-Year White | 1-Year Black | Spectrum™ | Decorator | Deluxe | DuraGuard | Superview |
| Windsor | ● | ● | ● | ● | ● | ● | ■ | Standard | ■ | ■ | ■* |
| Townsend | ● | ● | ● | ● | ● | ● | ■ | ■ | ■ | ■ | ■* |
| Contemporary Curve | ● | ● | ● | ● | ● | ● | ■ | ■ | Standard † | Standard † | ■* |
| Push Button (DH201 & DH202) | | | | | ● | ● | | | ■ | ■ | ■* |
| Push Button (DH192) | | | | | | ● | | | | | ■ |
| Pull Handle | | | | | ● | ● | | | | | Standard |

● Interior handle finish matches exterior handle ■ Available as an option † Standard color is black or white * Not available on Superview Model #899

ACCESSORIES

Piano Hinge and Bottom Expander



Brass-look piano hinge and brass-look bottom expander



Satin Nickel piano hinge and Satin Nickel bottom expander



Aged Bronze piano hinge and Aged Bronze bottom expander

Easy-Set Closer



Just a slight push on the cap and it'll stay open. Push door open further and it releases. Color matched to door.

Magazine & Mail Slot



Bright Brass, Satin Nickel and Aged Bronze magazine and mail slots. Available on #074, #079, #279, #374 and #379.

Freedom Pet Door

Factory Installed - Available on Flush Doors Only

- Solid aluminum construction with spring loaded latch on interior cover
- Soft single flap for a tight weather seal
- White mitered aluminum frame
- Also available on entry doors
- Also available on additional storm door styles. See Price List pg. 130



#279 Flush Half-Lite with Pet Door Option



#379 Self-Storing with Pet Door Option Includes full screen



Medium

8 1/8" x 11 3/4" opening for pets up to 40 lbs.

Large

10 1/8" x 15 3/4" opening for pets up to 100 lbs.

Storm doors with a pet door come with only a single (top) closer.



"To serve, by caring for details in ways others won't." It's not just our mission, but a way of letting our light shine every day at ProVia. We continually strive to put these words into action by providing unmatched quality and service. The P-icon symbolizes each employee's commitment to devoting the utmost care, pride and quality into each building product we manufacture...it's The Professional Way.



THE PROFESSIONAL WAY

Doors • Windows • Siding • Stone
www.proviaproducts.com

© 2013 ProVia
P-MK-00085-13 11/12 60M - K

Distributed by:

Blank white box for distributor information.